

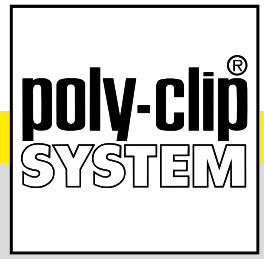


PDC 600/700/800

Semiautomatic Double-Clipper



innovative · reliable · leading



PDC 600/700/800

- 2 machine types for different calibre ranges:
PDC 600
for calibres up to 90 mm
PDC 700/800
for calibres up to 115 mm
- For all plastic, fibrous, collagen and natural casings
- Upgrade to optional features at any time

Applications

The PDC 600, 700 and 800 semi-automatic double-clippers are suitable for all sizes of operations – for small or industrial-scale production runs. They close any plastic, fibrous, collagen or natural casing in diameters up to 90 mm (PDC 600) or up to 115 mm (PDC 700/800). Using the PDC means that all products – single portions or chains, long sausages, half rings and rings – can be produced efficiently.

Advantages

- Electropneumatic control
- The separator can be adapted to the product's calibre range – short lever strokes of the handle, time saving, higher cycle times
- Ergonomic handle, individually adaptable in length to the operator
- Safety due to two-handed triggering of the first clip
- Low air consumption
- Very low noise

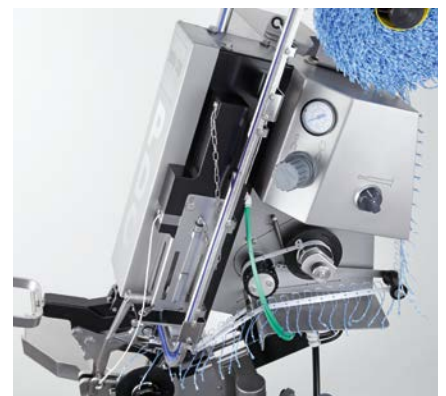
All control elements are clearly and functionally laid out



Products with diameters up to 90 mm can be produced quickly and safely with the PDC 600.

- Integrated sausage chain control
- Emulsion supply button for quick start and product change
- Low depth – space-saving
- Clear, simple operation
- Can be upgraded when needed – modular design
- High performance at a low price
- Second supply option for the clip stick at a low height for smaller operators
- Clean sausage tail due to product-specific adjustment of the middle gate
- Hygienic:
 - made completely of stainless steel and industrial plastic
 - smooth surfaces make it easy to clean
 - inclined surfaces to improve drainage of water
 - hygiene switch IP69K
- Easy to use, simple exchange of knife
- Height and inclination of product tray adjustable without tools
- Clip pressure is easily visible on the pressure gauge and can be adjusted to the product
- Adjustable clip closure height
- The speed of the punch can be adjusted to the product via flow control
- V-shaped trolley for optimum positioning under the table with simple height adjustment with filling horn key

Loops can be clipped simply and securely with the automatic looper (GSE).





Tamper-proof marking – simple and safe: with printed labels

Optional equipment

- Automatic looper (GSE)
- Manual looper
- String dispenser with bobbin holder
- 2 models available: Table-top version or on height-adjustable trolley
- Pneumatically movable casing brake holder
- Portioning device for sausage tray
- ES 4000 labelling system
- S-clip on reels (only PDC 600/700)

Function and operation

The PDC 600, 700 and 800 semi-automatic clippers can be placed as required in front of or coupled mechanically with the filler; electrical coupling is possible in addition. When the

The separator is adjustable individually to the diameter of the product - for shorter lever strokes and higher cycle times.



The PDC 700/800 closes all diameters up to 115 mm without any problems

operator closes the separator, the filled casing is centred at the closure site, separated without emulsion and securely double-clipped. The knife automatically cuts off the desired portions according to the sausage chain length adjustment. For hanging-up the sausages, loops can be inserted and clipped automatically.

Clip System Solutions

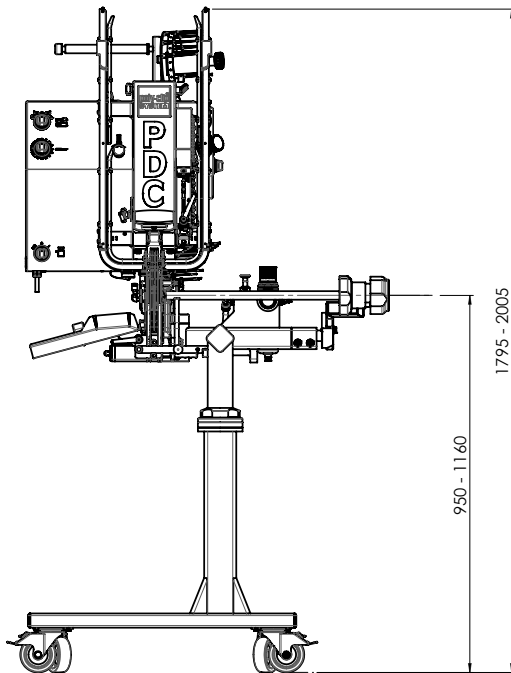
The complete system of clipping machine, clips and loops from one source ensures efficient, trouble-free production. The original clips from Poly-clip System guarantee top quality. The manufacture is subject to strictest quality standards, is certified to ISO 22000:2005 and DIN EN ISO 9001:2008 and tuned precisely to the production process. The patented, food-proof, safety coating using Poly-clip SAFE-COAT technology, certified by the SGS INSTITUT FRESENIUS organization, ensures trouble-free production

and a no-worry product warranty. Poly-clip System is the world's leading provider of Clip System Solutions.

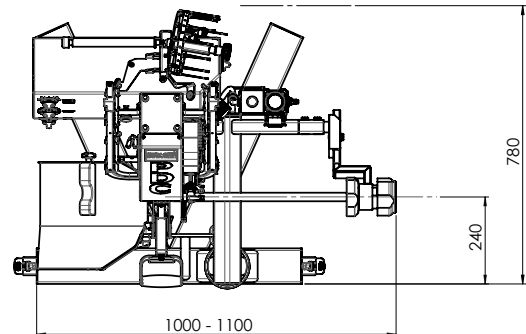
PDC 600/700/800

Dimensions (in mm)

Technical data



Front view



Top view

	PDC 600 (trolley)	PDC 700/800 (trolley)
Width:	1,000-1,100 mm	1,000-1,100 mm
Depth:	780 mm	780 mm
Height:	1,795-2,005 mm	1,795-2,005 mm
Weight:	118 kg	118 kg
Connection voltage:	180-550 VAC, 50/60 Hz	180-550 VAC, 50/60 Hz
Power input:	0.1 kW	0.1 kW
Fuse connection:	2.5 A	2.5 A
Compressed air:	4-6 bar/0.4-0.6 MPa	4-6 bar/0.4-0.6 MPa
Air consumption:	4 bar: 6.5 NL/cycle 6 bar: 8.5 NL/cycle	4 bar: 10 NL/cycle 6 bar: 11.5 NL/cycle
Suitable clip sizes:	S 625/628/632/638	S 735/740/744 S 840/844/848/854

PDC 600/700/800-GB-04/16-HA Subject to technical modifications.

