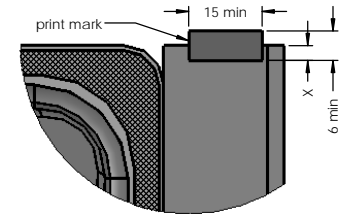
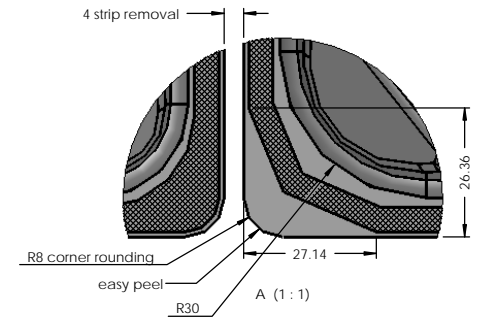
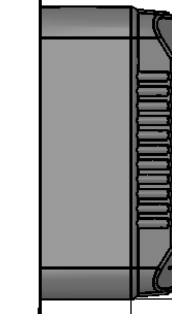
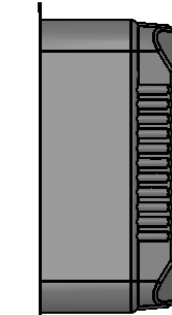


MACHINE
DIRECTION



(X)=Print Mark Tolerance
see VC999 doc.#11.27.73

B (1 : 1)

12.70x45° corner chamfer

5°

3x45° chamfer

28.97 minimum depth

85 adjustable
height
(maximum depth)

Approval required for production

Approved: _____
 Approved with noted changes: _____
 Resubmit after noted changes: _____
 Date: _____

560/390/135 2:2 ez rgd strip pg layout

Scale

1:3

Drawn by	JGR
Checked by	
Date	

Part No. 560.390.2.2.135.ez.rgd.strip.pg

Drawing File 560.390.2.2.135.ez.rgd.strip.pg 1